

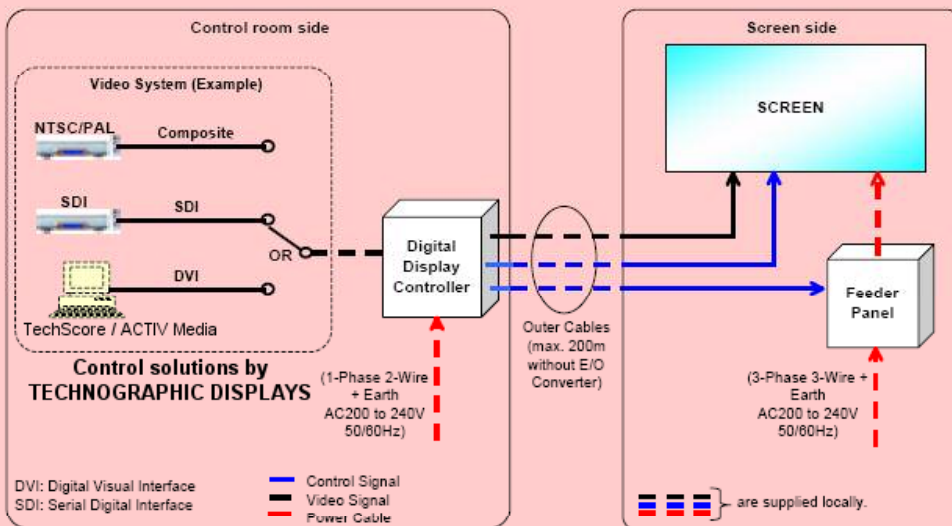
### 1: SCREEN SPECIFICATIONS

MODEL		The DIAMOND VISION LEDERBOARD (AVL-IDT10)
Basic Specifications	Display Device	LED (3 in 1, SMD (Surface Mounted Device) type)
	LED Pixel Arrangement and Layout of Color Pixel	
	Pixel Pitch	10.16 mm
	Pixel Density	9,688 pixels / sq. m
	Max. Brightness	1,600 cd/sq. m
	Image Processing	Progressive Scan Converter + Interpolation
	Grey Scale Processing	4,096 Steps (12 bits)
	Brightness Adjustment Level	64 Steps (6 bits)
	Viewing Angle	H : 180 degree (+/- 80 degree) , V : 160 degree (+/- 80 degree)
	Minimum Viewing Distance	more than 2 m
	Power Consumption (avg.) *1	0.8 kW/sq. m
	Power Requirement *2	0.9 kVA/sq.m (3-Phase 3-Wire + Earth AC200 to AC240 V 50/60Hz)
	Required Cooling Capacity	0.42 kW/sq. m
	Brightness Reduction Time Up To Half of Initial Value Under Normal Condition	50,000 hr
One Module	Screen Size	0.42 sq. m = 0.65 m (H) x 0.65 m (W)
	Number of Lighting Unit	4 = 2 (H) x 2 (W)
	Resolution	4,096 pixels = 64 pixels (H) x 64 pixels (W)
	One Module Mass	Approx. 30 kg (metric)

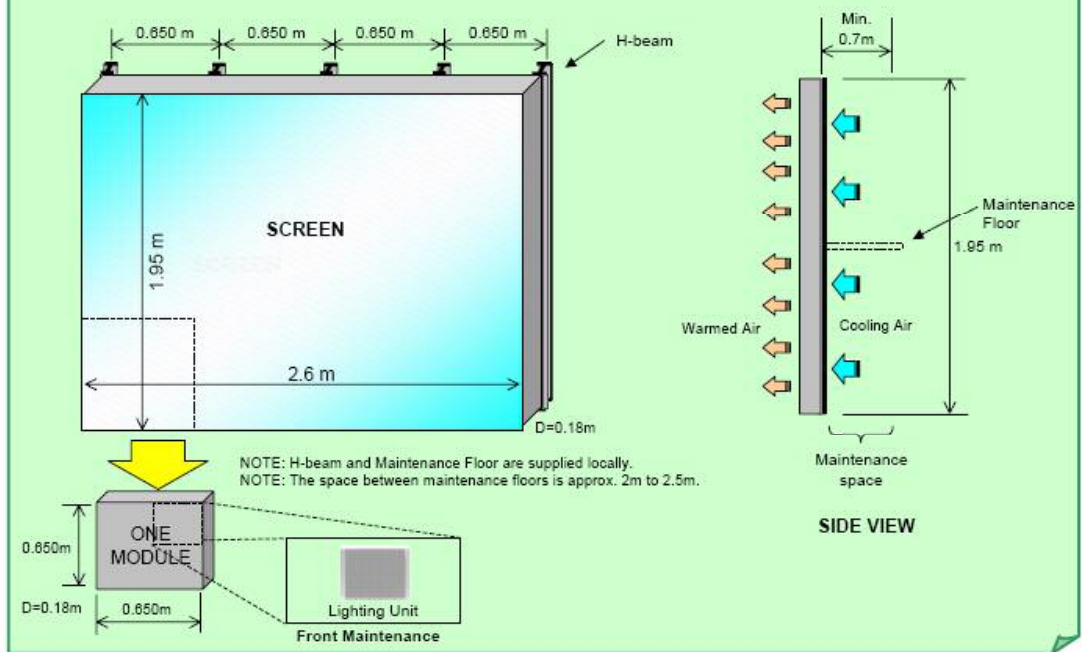
\*1: Power consumption is based on 100 % brightness at 30 % duty (=video display).

\*2: Power requirement is a value at the time of operating an APS (Auto Power consumption control System) function.

### 2: SAMPLE SYSTEM BLOCK DIAGRAM



### 3: SAMPLE SCREEN CONFIGURATION



### 4: SAMPLE MODULE CONFIGURATION

